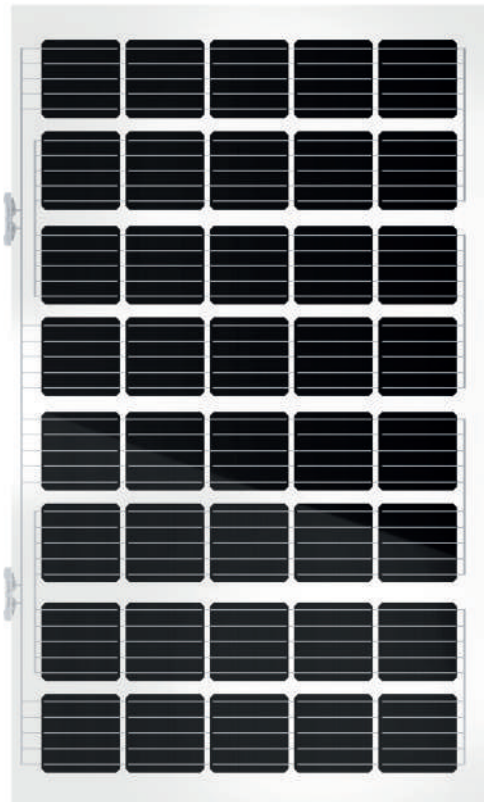
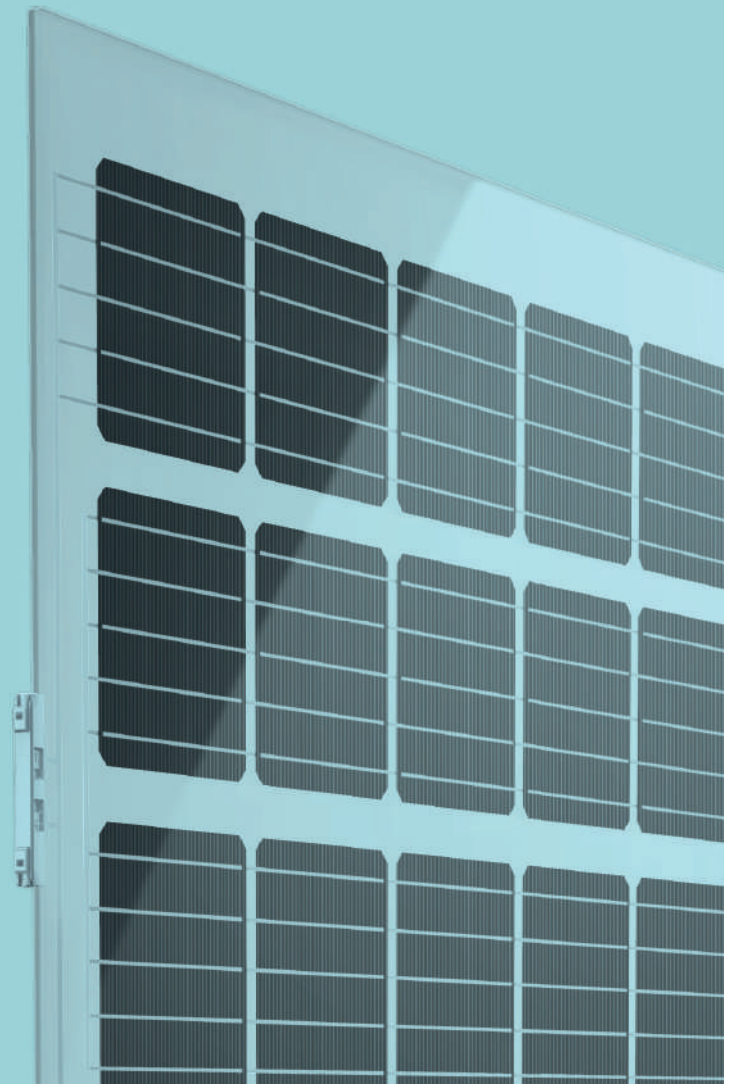


# Elegante 200W

 Made in  
**GERMANY**



## GERMAN ENGINEERING AND MANUFACTURING

Incorporated in 2001, aleo is recognized as one of the most trustworthy manufacturer of solar panels. We produce all our products in our certified production plant in Prenzlau, Germany.

## THE BEST GUARANTEE PACKAGE

 30 Years Product Guarantee       30 Years linear Performance Warranty

98% of nominal power guaranteed in the first two years

## OUR QUALITY IS CERTIFIED

This module is certified according to the latest technical building rules through the German technical authority DIBt (Deutsches Institut für Bautechnik).

DIBt released to this module the national technical approval abZ (allgemeine bauaufsichtliche Zulassung) for its implementation in architectural applications under safety conditions.



# aleo solar PV-safety glass Elegante

ELECTRICAL DATA (STC)		G40C200
Rated power	$P_{MPP}$ [W]	200
Rated voltage	$V_{MPP}$ [V]	21.7
Rated current	$I_{MPP}$ [A]	9.22
Open-circuit voltage	$V_{OC}$ [V]	26.8
Short-circuit current	$I_{SC}$ [A]	9.71
Efficiency	$\eta$ [%]	13.2

Electrical values measured under standard test conditions (STC): 1000 W/m<sup>2</sup>; 25°C; AM 1.5

ELECTRICAL DATA (NOCT)		G40C200
Power	$P_{MPP}$ [W]	145
Voltage	$V_{MPP}$ [V]	19.7
Current	$I_{MPP}$ [A]	7.35
Open-circuit voltage	$V_{OC}$ [V]	24.6
Short-circuit current	$I_{SC}$ [A]	7.85
Efficiency	$\eta$ [%]	11.9

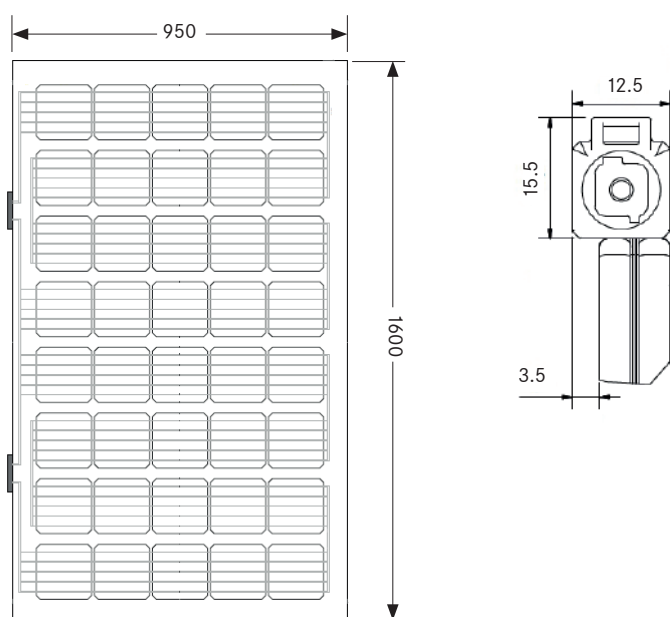
Electrical values measured under nominal operating conditions of cells: 800 W/m<sup>2</sup>; 20°C; AM 1.5; wind 1 m/s  
NOCT: 48°C (nominal operating cell temperature)

BASIC DATA JUNCTION BOX	
Length x width x height	[mm] 105.8 x 15.5 x 12.5
IP class	IP67
Cable length	[mm] 820
Connectors	2 Tyco wing edge
Bypass diodes	2 (one per junction box)

TEMPERATURE COEFFICIENTS			
Temperature coefficient $I_{SC}$	$\alpha (I_{SC})$	[%/K]	+0.05
Temperature coefficient $V_{OC}$	$\beta (V_{OC})$	[%/K]	-0.29
Temperature coefficient $P_{MPP}$	$\gamma (P_{MPP})$	[%/K]	-0.40

Measurement tolerance of  $P_{MPP}$  under STC -3/+3% | Accuracy of other electrical values -10/+10%  
Efficiency relating to gross PV-safety glass area

DIMENSIONS [mm]	DIMENSIONS JUNCTION BOX [mm]
-----------------	------------------------------



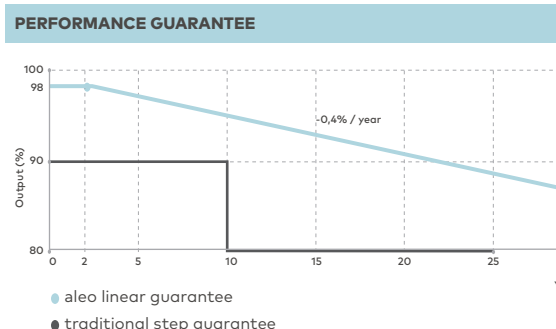
BASIC DATA	
Length x width x height	[mm] 950 x 1600 x 9 (12.5 mm height junction box)
Weight	[kg] 31.5
Number of cells	40
Cell size	[mm] 156.75 x 156.75
Cell material	Monocrystalline Si, PERC,
Number of bus bars	5
Front glass	4.0 mm Solar glass (TSG)
Back glass	4.0 mm Solar glass (TSG)

CERTIFICATIONS AND WARRANTY	
Product Guarantee	30 years
Power Guarantee	30 years
Fire Resistance	Class C
Protection Against Electric Shock	II
Certifications	architectural certification from DIBt

LOADS	
Max. pressure load	[Pa] 7500*
Max. suction load	[Pa] 5400*
Max. system voltage	[V <sub>DC</sub> ] 1000
Reverse current load	$I_R$ [A] 20

Mechanical load acc. to IEC/EN 61215  
\* Please observe the mounting conditions in the installation manual

ADDITIONAL ELECTRICAL DATA		
Reduction of STC efficiency from 1000 W/m <sup>2</sup> to 200 W/m <sup>2</sup>	[%] rel.	< 2
Classification range (positive classification)	[W]	0/+9.99



PLEASE CONTACT YOUR AUTHORISED ALEO DEALER

**ALEO SOLAR GMBH**  
Marius-Eriksen-Straße 1  
17291 PRENZLAU  
GERMANY

**CONTACT**  
+49 3984-8328-0  
info@aleo-solar.de  
www.aleo-solar.com

©aleo solar GmbH 02/2020

**aleo**